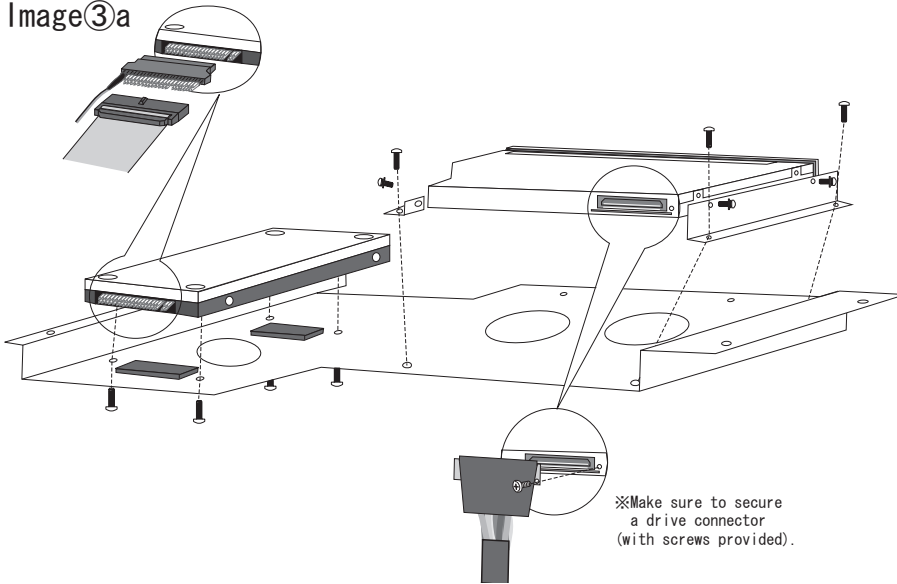


III. Mounting Drives onto a Drivebay

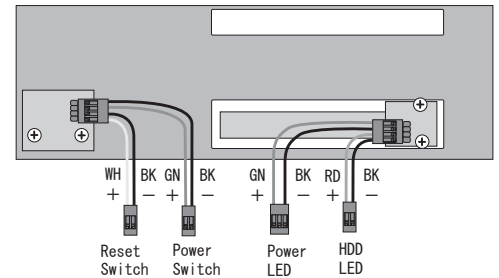
1. Refer to Image③, install a HDD and/or a disk drive onto the drivebay.
2. Connect a cable as shown in Image③a.
3. Connect Power/Reset/Power LED/HDD LED cables as shown in Image③b, and also refer to the user's manual of the motherboard.

Image③

Image③a



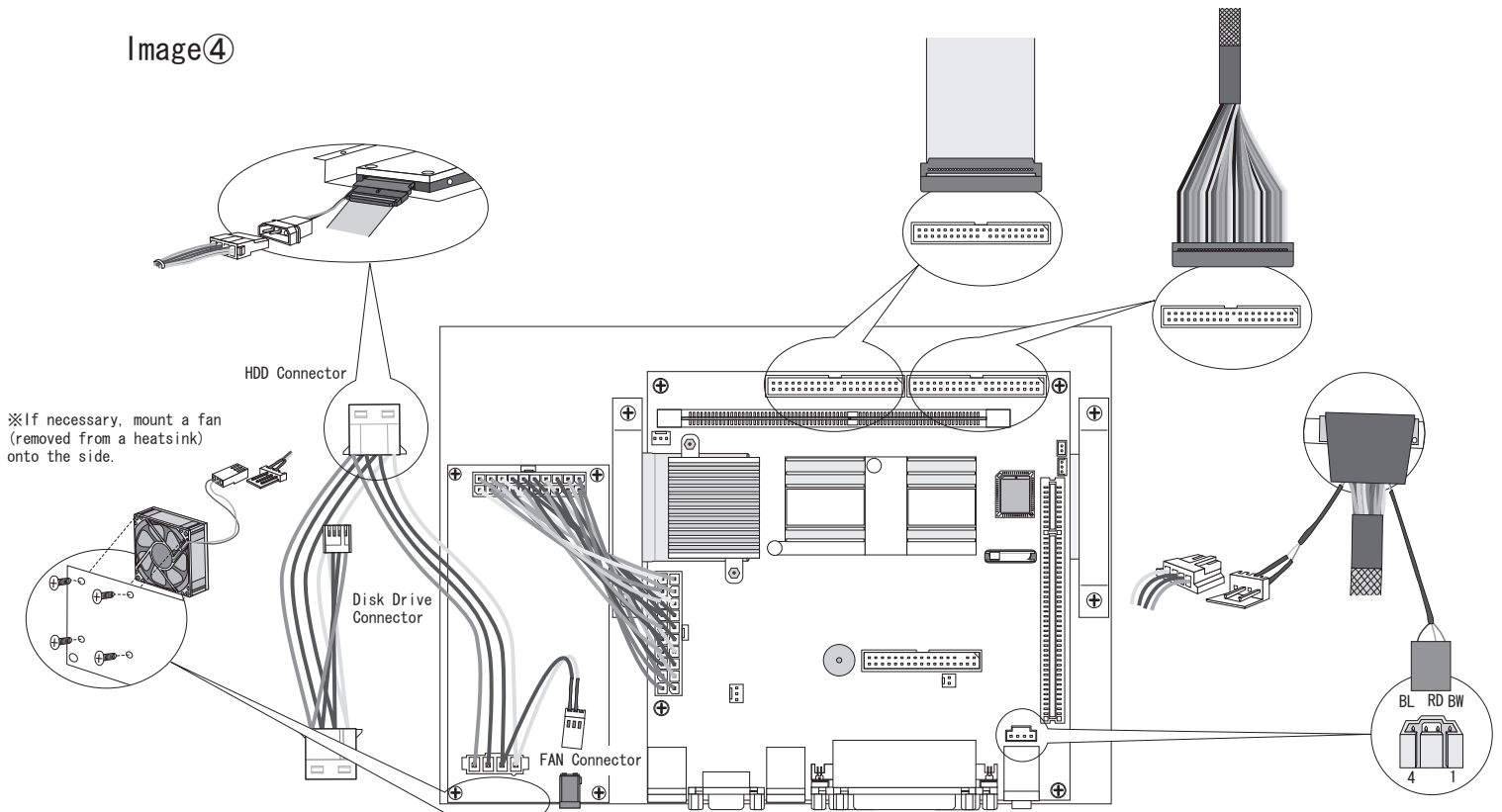
Image③b ※Inside image of a front panel



IV. Connecting cables to the Motherboard

1. Connect other cables by referring to Image④, and also refer to the user's manual of the motherboard.
2. Secure a drivebay and a chassis cover by referring to Image①.

Image④



V. Before starting a computer

1. Connect all necessary devices (refer to the user's manual of the motherboard) to the motherboard.
2. Connect AC adapter into an adapter socket.
3. Connect a powercord into AC adapter, and plug it into an outlet.

※This kit comes with a chassis & a power supply ONLY. Please purchase other necessary devices on your own.