

# FCS-50 CPU COOLER Installation Guide

FCS-50 is compatible with Socket370, SocketA, Socket478, Socket754(Athlon64), Socket940(Opteron)

## 【 Caution 】

Please make sure to turn off your PC & unplug the powercord when installing this CPU cooler.  
To prevent damage on the heatsink, CPU, and/or the motherboard, please read this installation guide CAREFULLY before the installation.

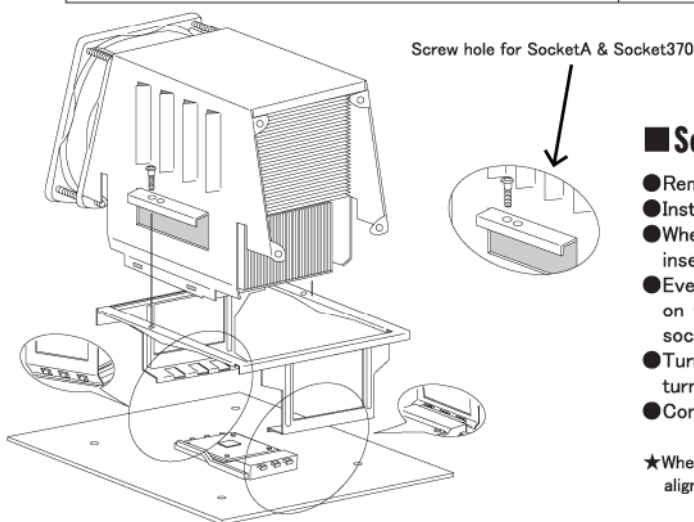
| Package Contains  |          |
|---|----------|
| Items List  | Quantity |
| CPU Cooler (Heatsink)                                       | 1pc      |
| Retention Bracket for SocketA & Socket370                   | 1pc      |
| Retention Bracket for Socket478                             | 1pc      |
| Screws for Retention Bracket                                | 2pcs     |
| Screws for Socket754(Athlon64) & Socket940(Opteron)         | 2pcs     |
| Springs for Socket754(Athlon64) & Socket940(Opteron) Screws | 2pcs     |
| Thermal Compound  | 1pc      |
| Installation Guide  | 1pc      |
| Safety Precautions for Heatlane Radiator (Reverse Side)     | 1pc      |

## ■ Adjusting RPM (Fan Speed)



● The fan speed can be adjusted by turning the dial clockwise for high speed & counter clockwise for low speed.

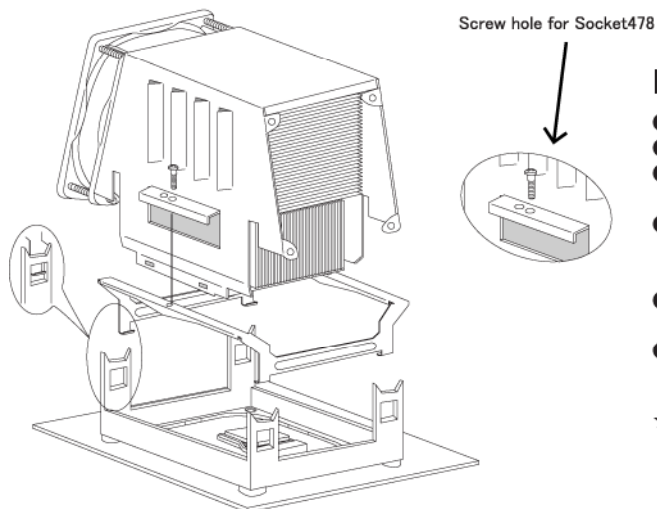
※When installing the fan controller panel, you may need to remove the tub & reinstall the tub after securing the panel onto your PCI window.  
※On some motherboards, the fan RPM monitoring may not read correctly. Setting the fan RPM too low could cause system failure on high ambient temperature.  
※To prevent damage, please remove the CPU cooler from the CPU if you transport or carry around your system.



## ■ SocketA & Socket370 CPU

- Remove the protection film from the heatsink base.
- Install the retention bracket (For Socket A & Socket 370) onto the heatsink.
- When installing the retention bracket (For Socket A & Socket 370), the screws need to be inserted into the hole which is aligned with the center of the CPU's core (Image shown left).
- Evenly apply the thermal compound onto the entire surface of the CPU core. Align the step on the base plate with the cam box of the socket, and cling the slit of the clip to the socket's tabs.
- Turn screws clockwise (For both sides) in order to secure the heatsink. Please make sure to turn the screws gently and evenly (Both sides), and avoid over-tightening.
- Connect the fan sensor wire to the motherboard & fan power wire to the PSU.

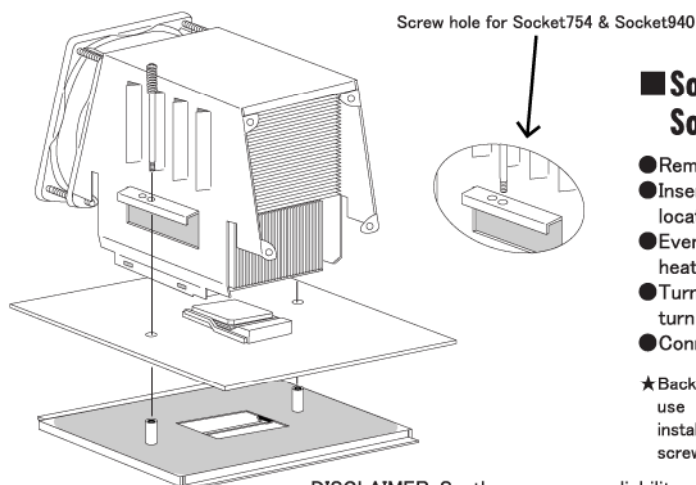
★When securing the retention bracket onto the socket, please make sure to align the heatsink base & core in order to avoid damaging the CPU core.



## ■ Socket478 CPU

- Remove the protection film from the heatsink base.
- Install the retention bracket (For Socket 478) onto the heatsink.
- When installing the retention bracket (For Socket 478), the screws need to be inserted into the hole which is aligned with the center of the CPU's core (Image shown left).
- Evenly apply the thermal compound onto the entire surface of the CPU core. Align the step on the base plate with the cam box of the socket, and cling the slit of the clip to the socket's tabs.
- Turn screws clockwise (For both sides) in order to secure the heatsink. Please make sure to turn the screws gently and evenly (Both sides), and avoid over-tightening.
- Connect the fan sensor wire to the motherboard & fan power wire to the PSU.

★When attaching the retention bracket (For socket 478, supplied in this package) onto the retention bracket (Mounted on motherboard), please make sure to align the clip into the hole of the retention bracket (Mounted on motherboard) in order to avoid damaging the CPU core.



## ■ Socket754 (Athlon64) CPU Socket940 (Opteron) CPU

- Remove the protection film from the heatsink base.
- Insert the screws (For Socket 754 & Socket 940) to the springs and then into the holes located at the both sides of the CPU socket (Image shown left).
- Evenly apply the thermal compound onto the entire surface of the CPU core. Place the heatsink and secure it with the screws provided (For Socket 754 & Socket 940).
- Turn screws clockwise (For both sides) in order to secure the heatsink. Please make sure to turn the screws gently and evenly (Both sides), and avoid over-tightening.
- Connect the fan sensor wire to the motherboard & fan power wire to the PSU.

★Backplate for the CPU heatsink/fan does not come with this package. Please use the backplate supplied with the CPU or the motherboard for the installation. If the backplate is not equipped with the holes for mounting screws, please purchase the backplate separately.

DISCLAIMER: Scythe assumes no liability whatsoever, expressed or implied, for the use of this product.