

SILENT BOX INSTALLATION GUIDE

Package Contains			
Items List	Quantity	Items List	Quantity
Silent BOX (Cover & Case)	1pc	Sponge Material for Vibration Absorbing Purposes (Non-Frame Portion) (To fill the gap)	2pcs
Heatlane Plate (attached to the cover)	1pc	Screw for Heat Radiation Plate Cover (Long)	6pcs
Gel Sheet	2pcs	Screw for Heat Radiation Plate Cover (Short)	4pcs
Heat Radiation Plate Cover	1pc	Screw for PC Case	8pcs
Cable for Parallel ATA Power	1pc	Installation Guide	1pc
Cable for Serial ATA Power	1pc	Safety Precautions for Heatlane Radiator (Reverse Side)	1pc
Sponge Material for Vibration Absorbing Purposes (Frame Portion) (Attached to the Case)	2pcs		

How to Install Hard Disk into Silent BOX

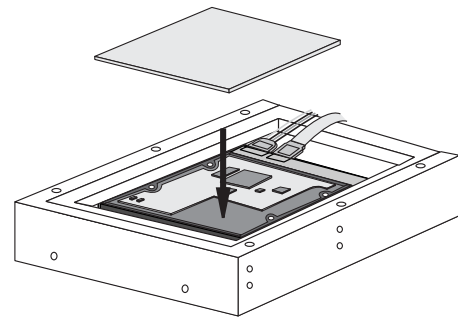
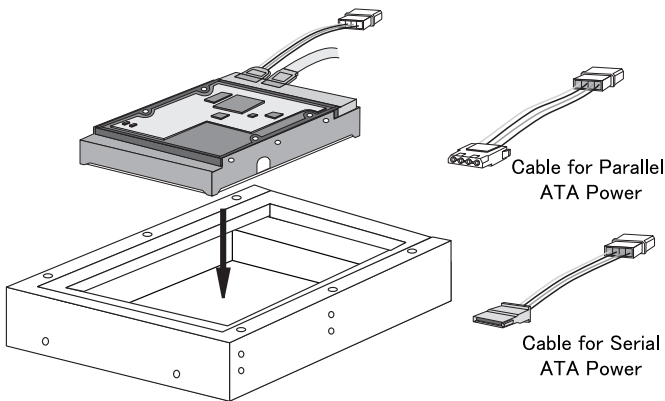
1. Insert Hard Disk into the Silent BOX as shown below (Please remove the non-frame portion of the sponge material before installing the Hard Disk into the Silent BOX).

※Please make sure to face up the circuit board of the Hard Disk. Please use the supplied Parallel or Serial ATA cable for connecting the Hard Disk. Please also make sure to use the appropriate cable for your Hard Disk.

※This product is designed for standard 3.5" Hard Disk only. If your Hard Disk is smaller than the standard 3.5" Hard Disk, please use the non-frame portion of the sponge material to fill the gap (However, this does not guarantee the compatibility to all Hard Disk).

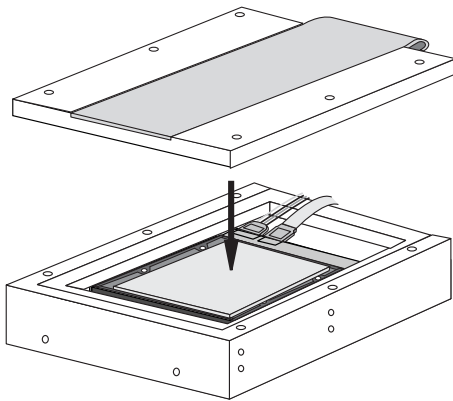
2. Place the Gel Sheet onto the circuit board of the Hard Disk, and make sure the Gel Sheet sticks to the Heatlane Plate.

※2 Gel Sheets are enclosed in the package. Depending on the type of the Hard Disk, you may need to use 2 sheets in order to evenly cover the circuit board of the Hard Disk, and also to completely stick the Gel Sheet to the Heatlane Plate.



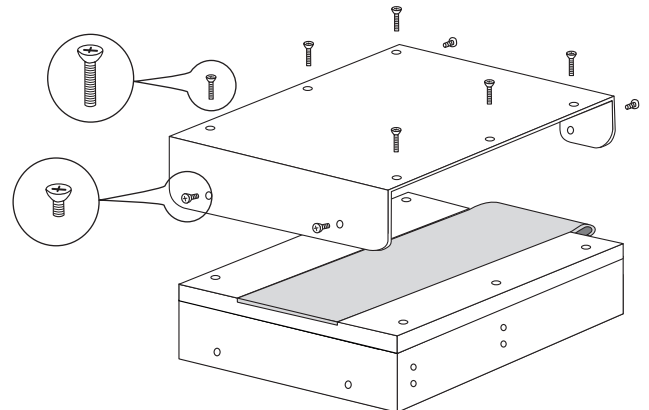
3. Install the Silent BOX Cover onto the Silent BOX as shown below.

※Please be sure to align the IDE cables before closing the cover in order to prevent damages onto the IDE cables. Please tighten the screws gently to avoid any cut or damages onto the IDE cables.



4. Install the Heat Radiation Plate Cover, and tighten it with the supplied screws for Heat Radiation Plate Cover as shown below.

※Over-tightening the screws could cause the metal portion (filled in the rubber case) to become loose. In order to avoid this, please tighten the screws slowly and gently. Over-tightening could damage the screw head or screw holes.



5. By using the supplied screws for PC Case, install the Silent BOX into 5.25" Bay of your PC Case as shown below.

※Over-tightening the screws could cause the metal portion (filled in the rubber case) to become loose. In order to avoid this, please tighten the screws slowly and gently. Over-tightening could damage the screw head or screw holes.

