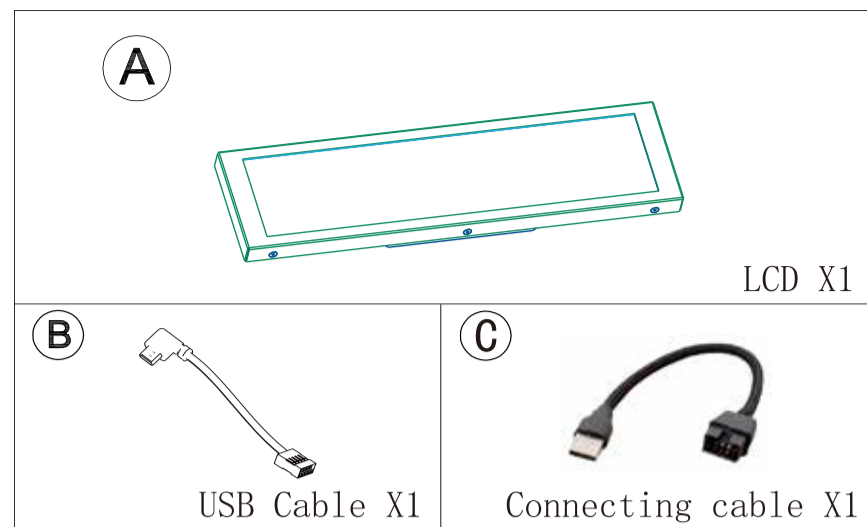


TROFEO VISION LCD_9.16

REV:1.0



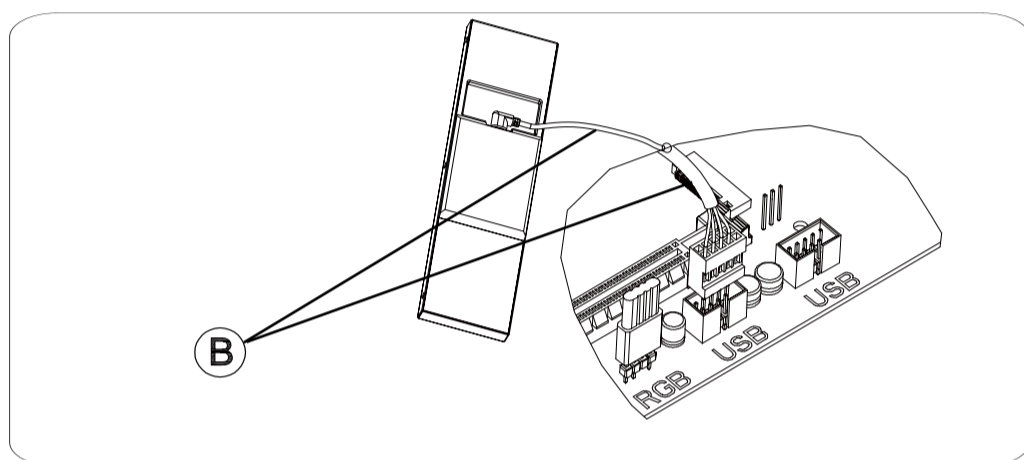
Components



www.thermalright.com

LCD screen wiring

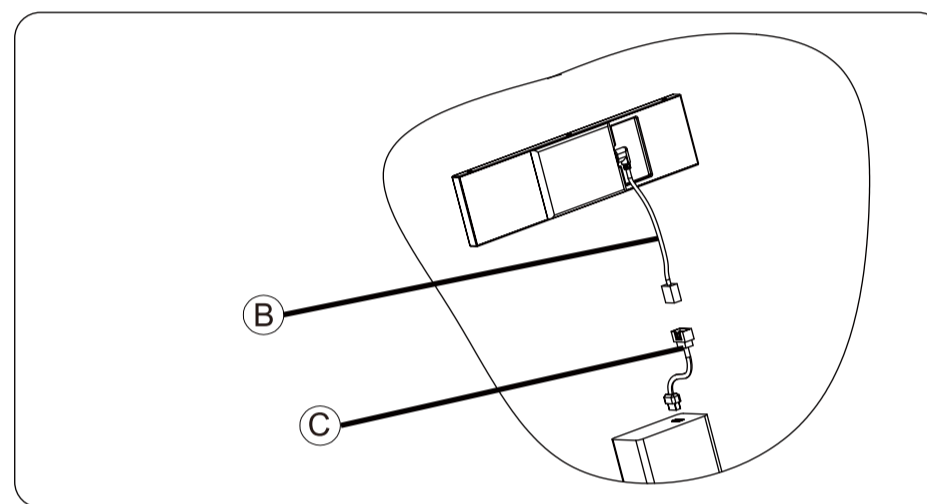
Connect waterblock to motherboard USB 2.0 header with USB cable.



www.thermalright.com

LCD screen wiring

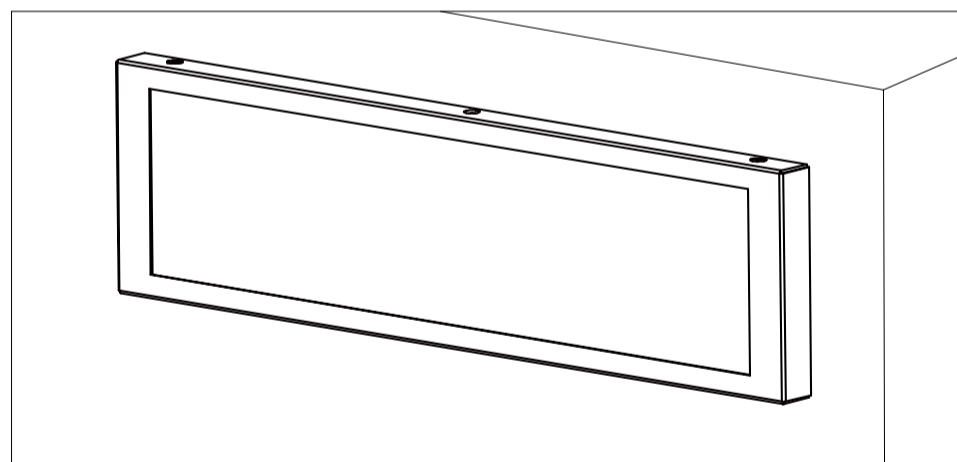
Connect the A-type port end of the adapter cable to the corresponding A-type port labeled SUBV on the chassis. For the screen connection cable, plug one end (TYPE-C port) into the monitor, and connect the other end (9-pin Dupont header) to the 9-pin male header on the adapter cable.



www.thermalright.com

LCD Installation

The LCD screen is equipped with a magnet and can be freely attached to any metal case of the computer case.



www.thermalright.com

TROFEO VISION DISPLAY USER GUIDE

1. Check 9 pin USB cable connection between waterblock and motherboard before installing.
2. Download software at:
<https://www.thermalright.com/support/download/>
Unzip setup file and start install by double click setup.
3. After install completed, double click shortcut icon on desktop to run software.
4. All functions on LCD are controlled by software, and software will auto start at OS boot. Please do not exit the program.
5. For unknown error, restart the display by re-plug USB cable on waterblock.